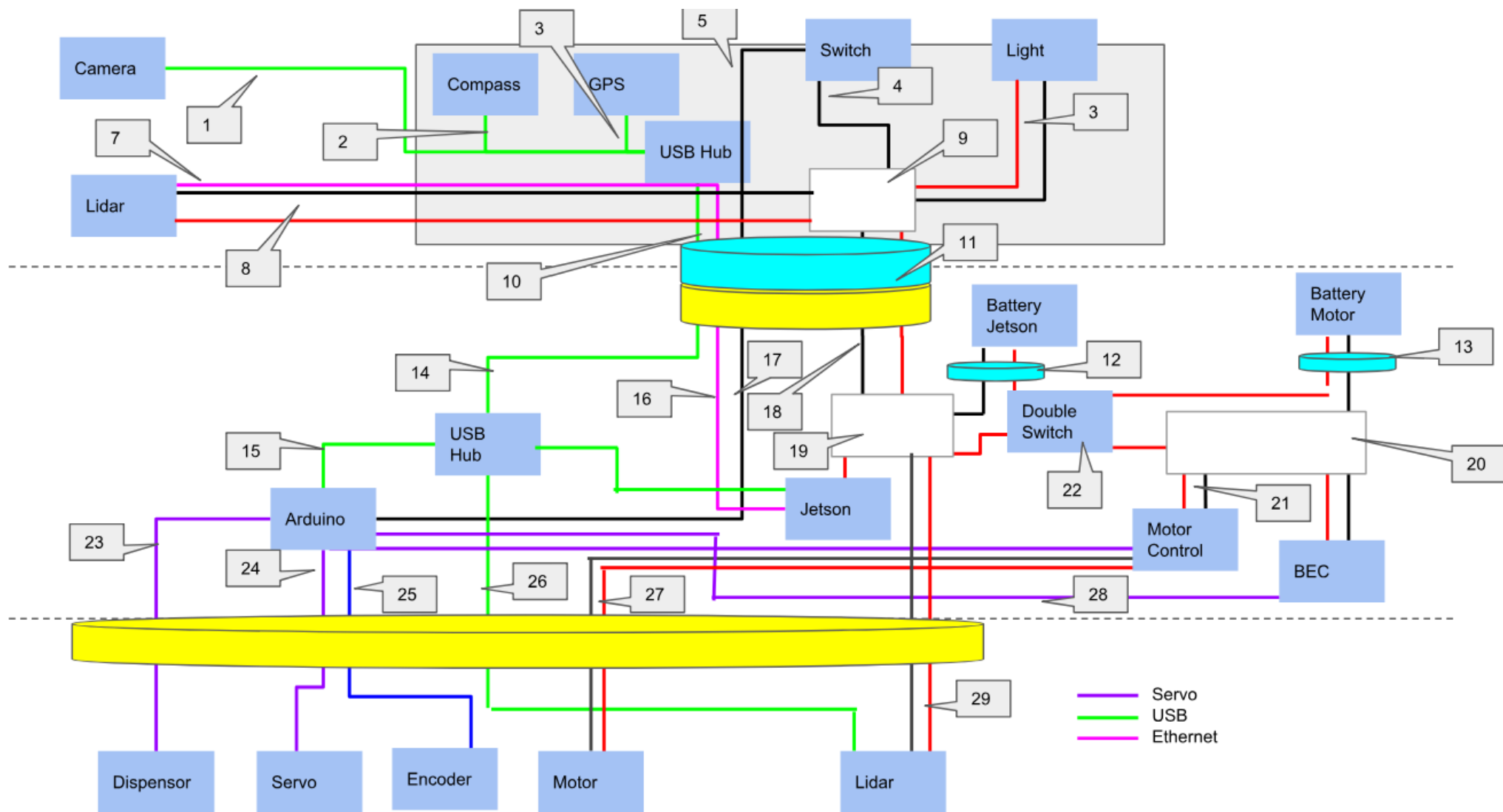


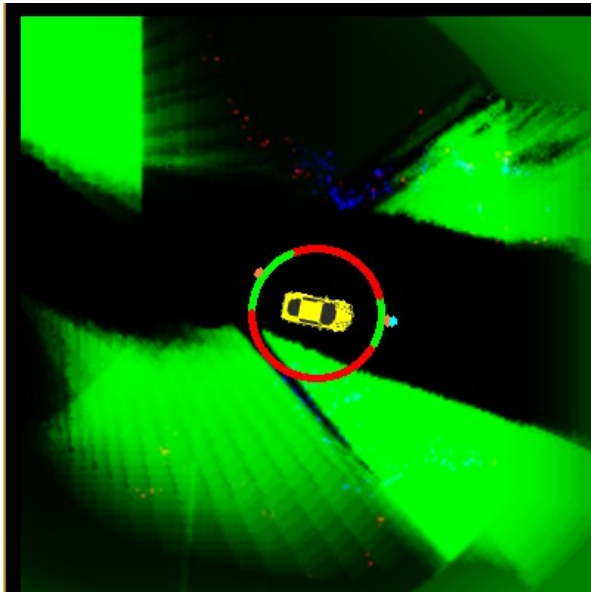


*Short Circuits
Prague*

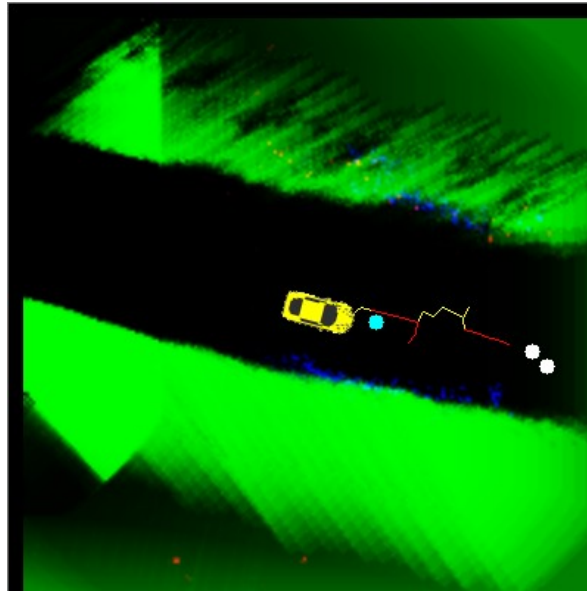


Occupancy Grid Map & Local Path Planning

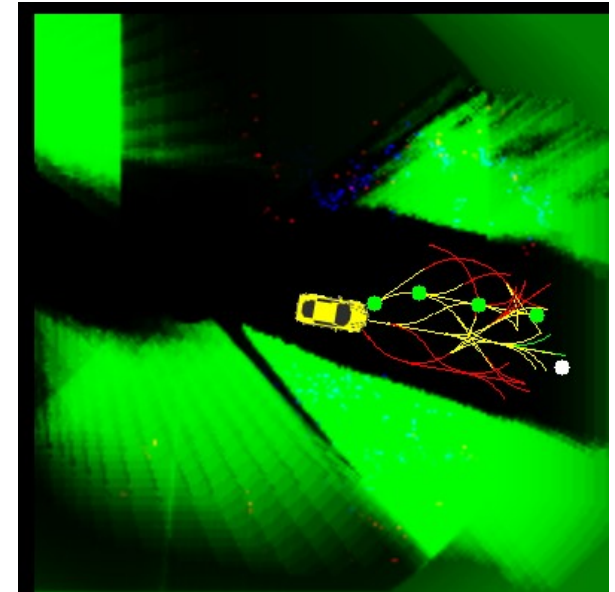
VFH+



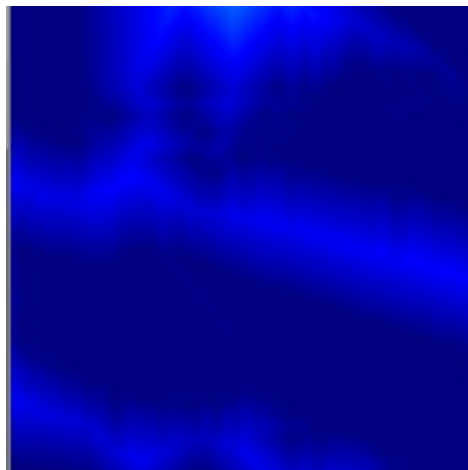
hRRT



Trajectory Rollout



Distance Map



V-Rep Simulation

